

Recessed downlight - Highly specular mirror reflector - direct wide distribution

Housing made of sheet steel with cover ring made of diecast aluminium painted in RAL 9016 traffic white, with driver wired ready for operation. With mounting springs for installation without tools, suitable for ceiling thickness of 10 mm-25 mm. Housing colour traffic white RAL 9016; Light distribution direct wide distribution by means of Highly specular mirror reflector of High-purity aluminium, individually anodised reflector. Suitable for VDU workstations,  $65^\circ < 1000 \text{ cd/m}^2$  omnidirectional glare reduction in accordance with current DIN-EN 12464-1 standard, UGR (4H/8H) 18.7. External driver with luminaire wired ready for operation. Electrical connection via 3-pole connection terminal with plug-in contacts.. With the Changy-SR VW accessory refurbishment ring, a ceiling cut-out of 230-300mm is possible.

## CHARACTERISTICS

Order number	36940334120
EAN number	4020863352432
Commodity code	94051190
Certification mark	IP 20, Protection class II, VDU $65^\circ < 1000$ , F, Indoor, CE
Impact resistance (IK rating)	IK02
Ambient temperatur	ta 25°C
Warranty period	5 years
State funding programs	BEG - Federal funding for efficient buildings (valid only for Germany)

## ELECTRICAL ENGINEERING

Controller	Electronic driver (1 pcs.)
System output	16W
Mains voltage	230V/50Hz
Circuit breakers (inrush current)	14 pieces/B10, 24 pieces/B16, 24 pieces/C10, 40 pieces/C16
Energy efficiency class/light source	D

## LIGHTING TECHNOLOGY

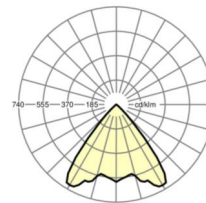
Placement	LED, Colour rendering/Light colour CRI $\geq 80$ / 4000K
Colour tolerance (MacAdam)	3SDCM
Photobiological safety (Luminaire)	RG1
Nominal luminous flux	1939lm
LED service life	50000h L80/B10 (Tq 25°C)
Luminaire luminous efficiency	124lm/W
Beam angle	80°
UGR lat./long.	18.7 / 18.7

## MECHANICS

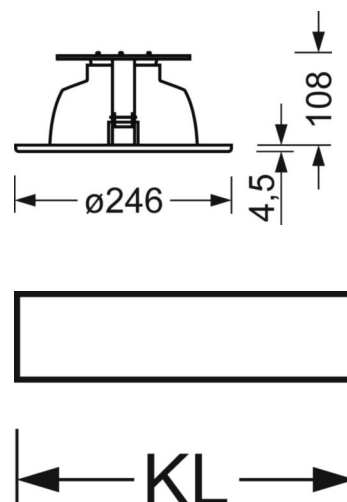
Housing colour	traffic white RAL 9016
Dimensions (LxWxH/DxH)	246mm x 113mm
Depth	108mm
Ceiling system	cut-out ceilings [AD], Panel ceiling [PD] (module 100/200)
Ceiling cut-out (LxW/D)	229mm
Installation depth	165mm [AD]
Weight (net)	0.78kg
Type of installation	Ceiling installation individual mounting

## DEEP-LINK

<https://www.regiolux.de/en/article/36940334120>



Reference	LED 1800lm 840
$\eta_{LB}$	100 %
$\Phi_{\downarrow/\uparrow}$	100 % / 0 %
UGR lat./long.	18.7 / 18.7
VDU	$65^\circ < 1000 \text{ cd/m}^2$



**Dimensions**

H	113 mm	Height
D	246 mm	Diameter
T	108 mm	Depth
DA	229 mm	Cutting dimension diameter
DS min	10 mm	Ceiling thickness minimum
DS max	25 mm	Ceiling thickness maximum
Et(AD)	165 mm	Ceiling distance minimum (cut-out ceiling)
KL	157 mm	Length luminaire head or box for ballasts
KB	67 mm	Width luminaire head or box for ballasts
KH	30 mm	Height luminaire head or box for ballasts

